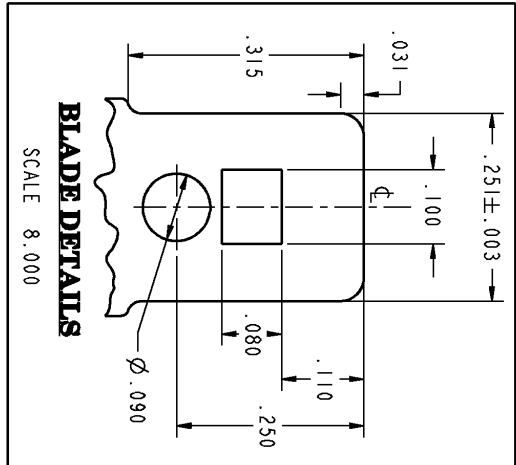
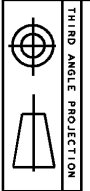
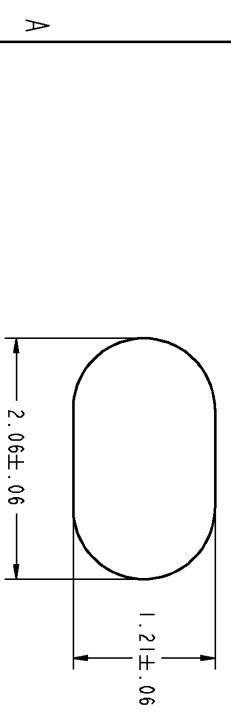
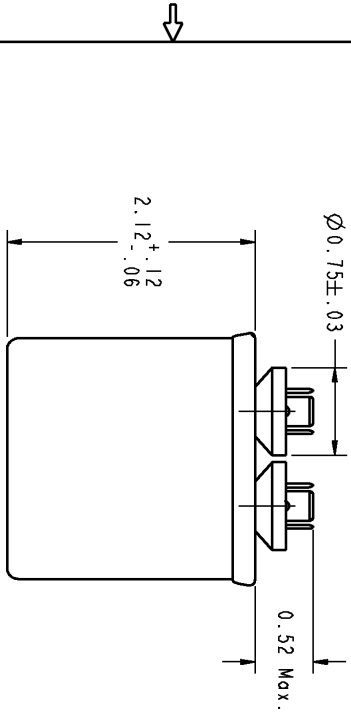
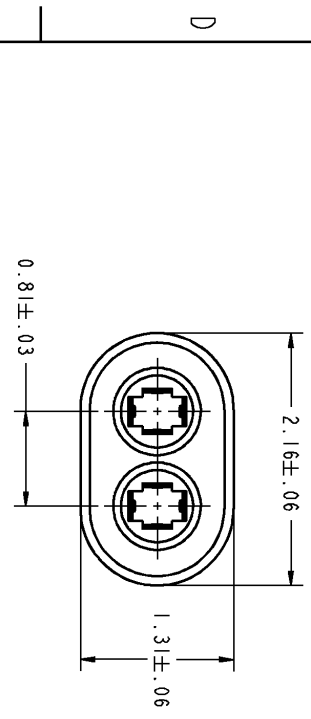
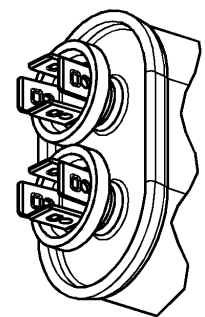


THIS DRAWING IS THE PROPERTY OF REGAL BELT CORPORATION. IT IS NOT TO BE REPRODUCED OR TRANSMITTED IN ANY FORM OR BY ANY MEANS, ELECTRONIC OR MECHANICAL, INCLUDING PHOTOCOPYING, RECORDING, OR BY ANY INFORMATION STORAGE AND RETRIEVAL SYSTEM, WITHOUT THE WRITTEN PERMISSION OF REGAL BELT CORPORATION. THE COMPANY SHALL BE HELD HARMLESS FROM ALL LIABILITY FOR DAMAGES, INCLUDING REASONABLE ATTORNEY'S FEES, IN CONNECTION WITH THE USE OF THIS DRAWING. THE COMPANY SHALL BE HELD HARMLESS FROM ALL LIABILITY FOR DAMAGES, INCLUDING REASONABLE ATTORNEY'S FEES, IN CONNECTION WITH THE USE OF THIS DRAWING.



BLADE DETAILS

SCALE 8.000



SCALE 1.500

SPECIFICATIONS:

"GEM-111 Capacitors are manufactured with High Grade Metallized Polypropylene Film"

Main Capacitance	: 8.00uF ±6%
Secondary Capacitance	: NIL
Volts	: 370AC
Leakage Current	: 30uA Max.
Frequency	: 50/60 HZ
Operating Temperature	: -40 DEG C TO 70 DEG C
Storage Temperature	: -40 DEG C TO 90 DEG C
Operative Life	: 60,000 HRS WITH 94% SURVIVAL
Dissipation Factor	: 0.1% MAX.
Case Material	: ALUMINIUM
Cover Material	: STEEL TIN PLATED
Terminals	: 0.250"X0.031" Quick Connect Blades
Dielectric Fluid	: DIELEKTROL VI
Internal Protection	: UL RECOGNIZED PSI A10000AFC

FOR ADDITIONAL INFO REFER TO:	SIGNATURES	DATE
APPLICABLE PRACTICES	MODEL	WRS 07/25/08
UNLESS OTHERWISE SPECIFIED	DETAIL	WRS 07/25/08
UNLESS OTHERWISE SPECIFIED	CHECKED	HW 07/25/08
TOLERANCE ON:	ENGRS	
1 PL DECIMALS ± 0.1	WFG	
2 PL DECIMALS ± 0.01	QUALITY	
3 PL DECIMALS ± 0.001	ISSUED	
ANGLES ± 0.5		
FRACTIONS ±		
FINISH		

MATERIAL	SOLID MODEL: 27CAPACITOR_ASM	SCALE: 1:250	REF. NO.:	SHEET 1 OF 1
<p>REGAL BELT CORPORATION</p> <p>GEM III CAPACITOR</p> <p>OUTLINE DRAWING</p>		SIZE: DRAWING	REV: 0	27L1026